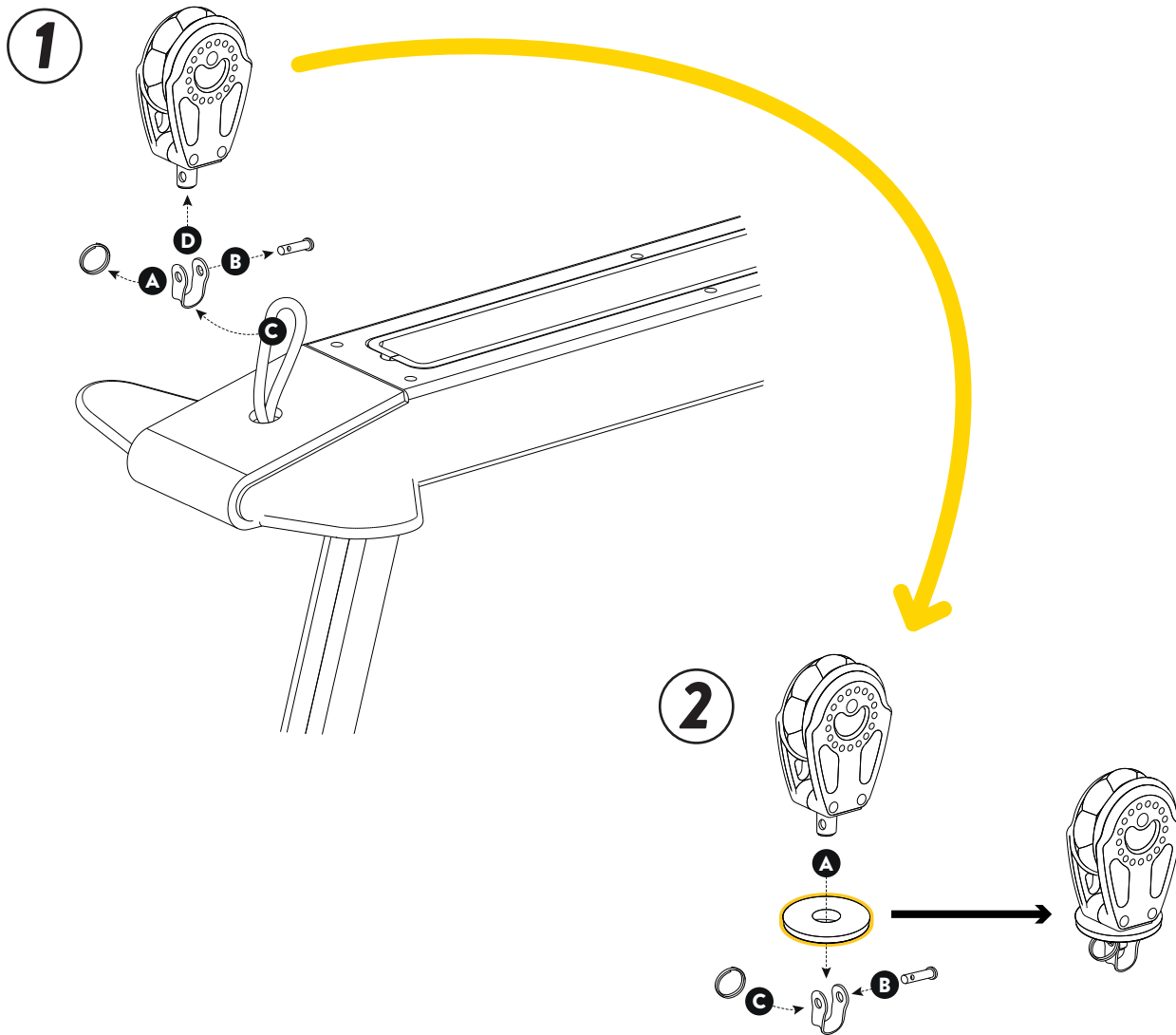


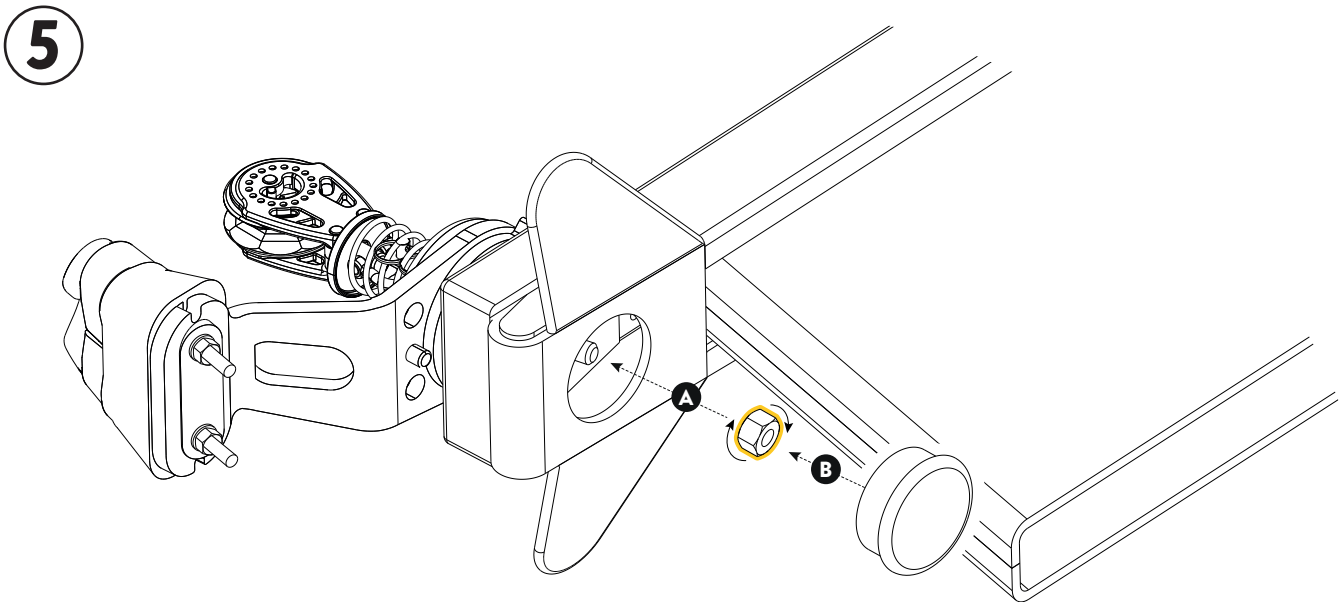
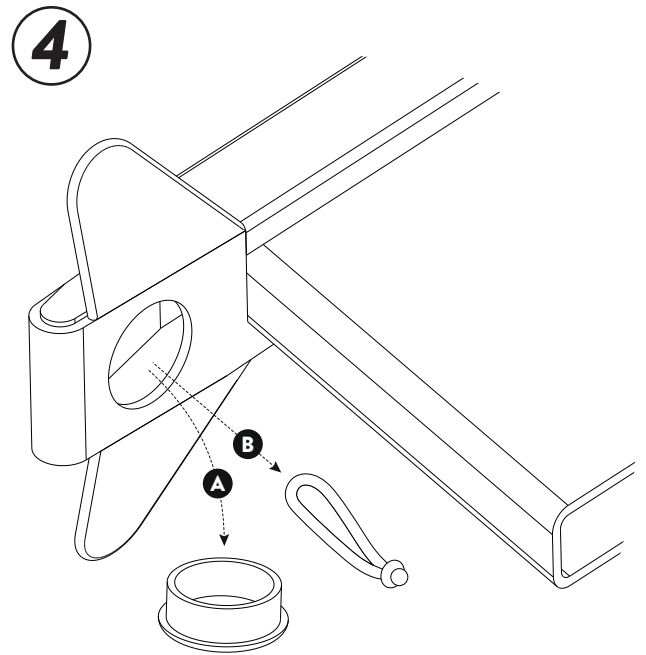
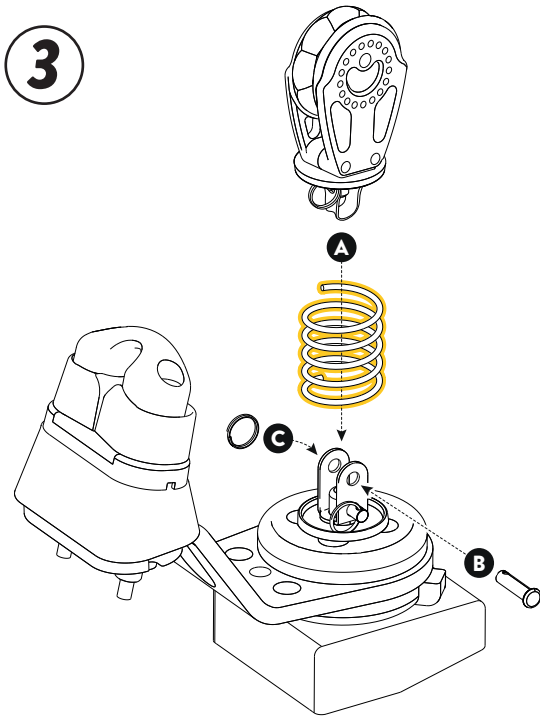


The use of this jamming cleat requires experience and a certain level of technical skill. For safety reasons, we recommend that you don't let children use this cleat. Also, the same goes for beginners or occasional sailors.



**1** Remove the split ring from your ratchet pulley to detach it from the lanyard.

**2** Reassemble the ratchet pulley including the new washer ring.



③ Place the spring on the swivel cam cleat. Push it down. Place the ratchet pulley on the swivel cam cleat and secure with the split ring and its pin. Release the spring.

④ Under the center piece of your boat, use a flat screwdriver to remove the cap. Remove the lanyard.

⑤ Position the now assembled block on the center piece of your boat so that the central screw comes out underneath as much as possible. Start to tighten the nut by hand then finish with a 1/2 inch wrench to hold the swivel cam cleat firmly in place. Close the opening with the cap of the center piece.