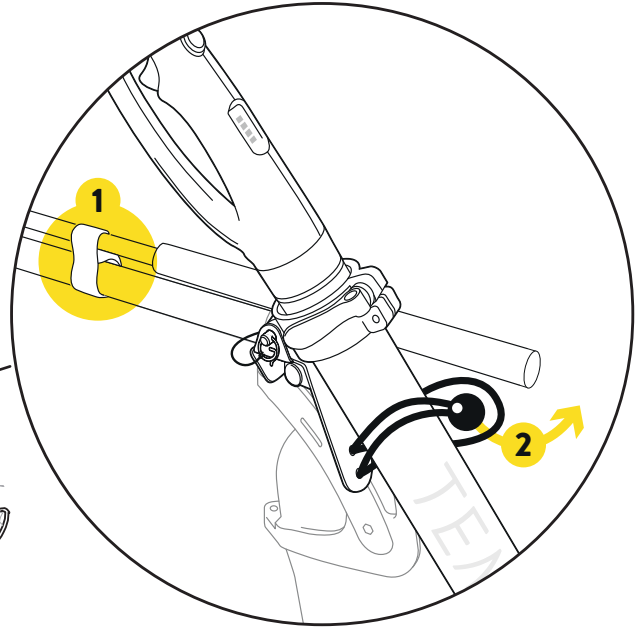
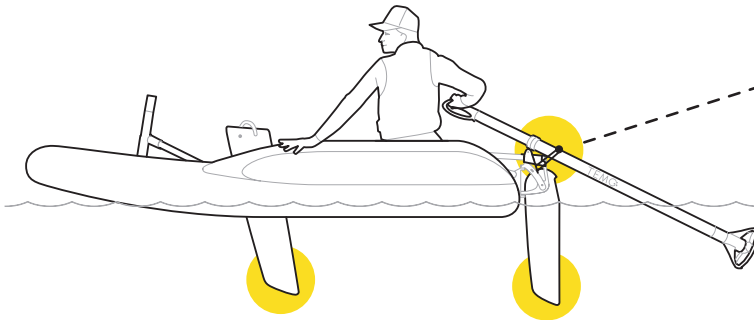


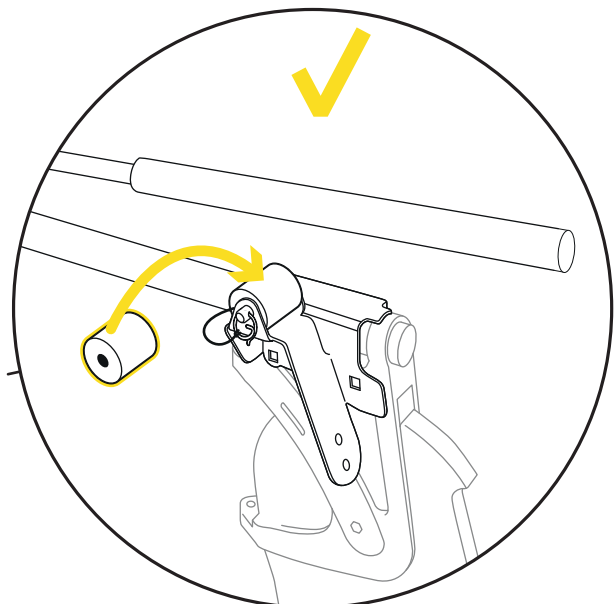
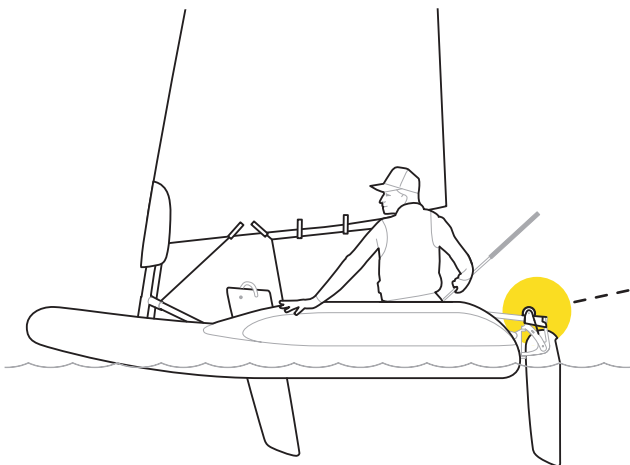
**A** USE OF THE SUPPORT WITH MOTOR



For optimal use of your Tiwal as a motorized tender, it is recommended to sail with the daggerboard and rudder lowered (be careful, however, to raise these two elements when arriving at the beach).

- 1 For greater comfort, it is recommended to attach the stick and the tiller using the hook-and-loop fastener.
- 2 For longer distances, it is recommended to use the elastic tie to keep the motor more easily submerged. For other maneuvers, detach this elastic.

**B** USE OF THE SUPPORT WITHOUT MOTOR



Use the roller in the motor cradle to prevent the stick from colliding with it.